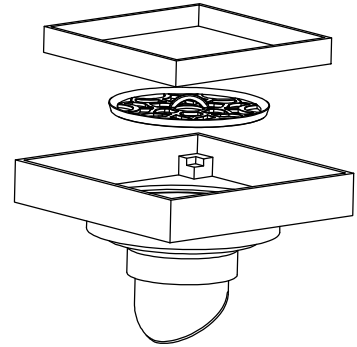
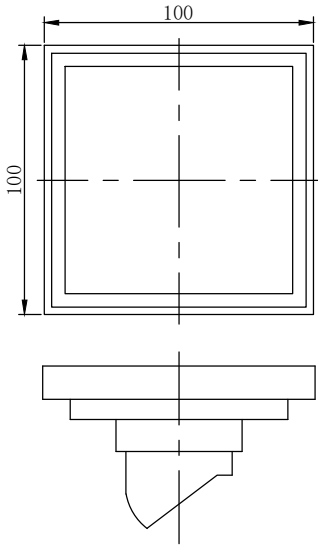
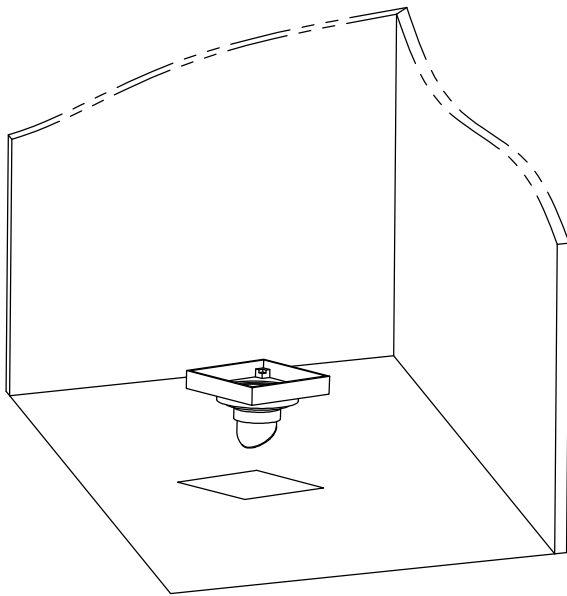


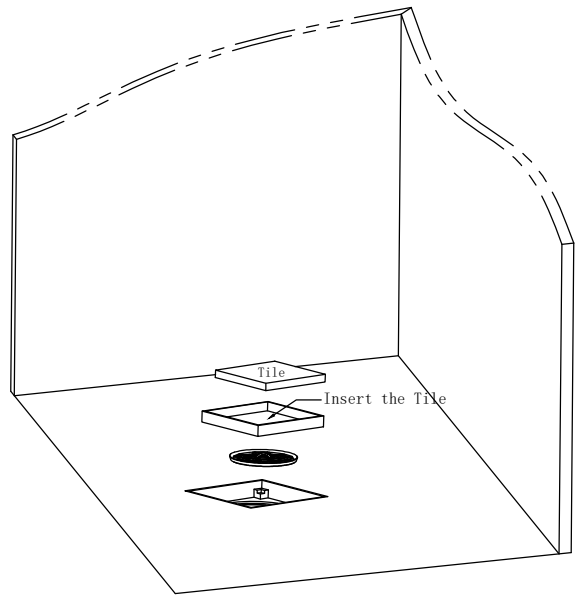
ND609



Installation



1



2